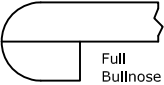
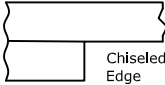
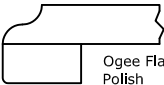
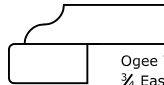
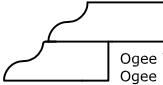
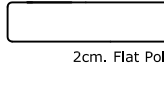
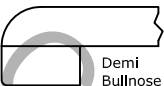
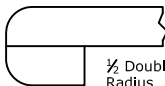

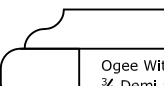
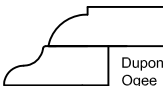
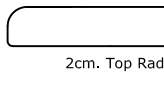
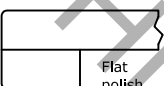
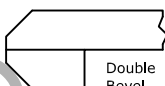
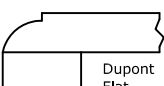
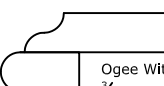
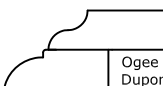
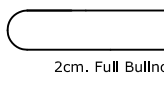
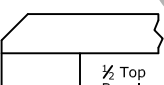

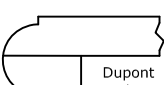
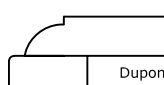

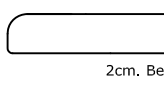
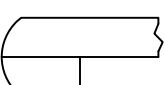


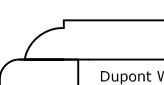
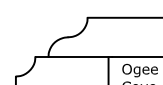
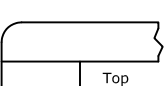
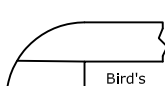

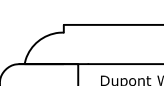
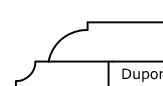
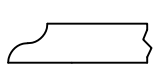
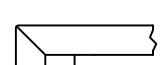
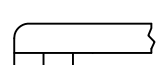



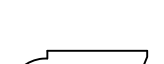
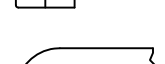
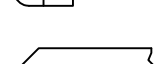


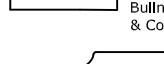
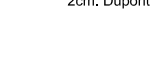
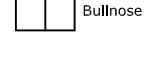

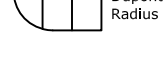

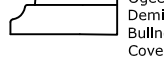

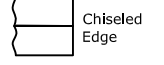
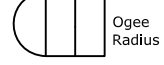
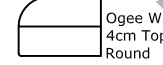


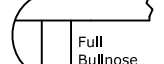



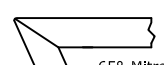




THICKNESS 1 1/2 "					THICKNESS 3/4 "
STANDARD	UPGRADE 1	UPGRADE 2	UPGRADE 3	UPGRADE 4	BASIC
 Full Bullnose	 Chiseled Edge	 Ogee Flat Polish	 Ogee With 1/4 Eased	 Ogee With Ogee	 2cm. Flat Polish
 Demi Bullnose	 1/2 Double Radius	 Ogee Radius	 Ogee With 1/2 Demi and flat polish	 Dupont With Ogee	 2cm. Top Radius
 Flat polish	 Double Bevel	 Dupont Flat polish	 Ogee With 1/4 bullnose	 Ogee With Dupont	 2cm. Full Bullnose
 1/2 Top Bevel	 1/2 Double Radius	 Dupont Radius	 Dupont With 1/4 Eased	 Dupont With Dupont	 2cm. Bevel
 Crescent	 Miter Edge	 Reverse Knife Edge	 Dupont With 1/2 Demi	 Ogee With Cove	
 Top Radius	 Bird's Beak	 Cove Flat polish	 Dupont With 1/4 Bullnose	 Dupont With Cove	

THICKNESS 3/4 "	THICKNESS 2 1/4 "				
STANDARD	UPGRADE 1	UPGRADE 2	UPGRADE 3	UPGRADE 4	CUSTOM
 2cm. Ogee	 Mitre Edge	 Double Radius	 Dupont Flat polish	 Dupont With 4cm Top Round	 Dupont With Demi Bullnose & Cove
 2cm. Dupont	 Demi Bullnose	 Double Bevel	 Dupont Radius	 Dupont With 4cm. Full Bullnose	 Ogee With Demi Bullnose & Cove
 2cm. Cove	 Crescent	 Chiseled Edge	 Ogee Radius	 Ogee With 4cm Top Round	 Ogee With Cove & Ogee
	 Top Bevel	 Full Bullnose	 Ogee Flat polish	 Ogee With 4cm Full Bullnose	 Dupont With Cove & Dupont
	 Flat Polish	 65° Mitre Skirt	 Reverse Knife Edge	 Dupont Flat Polish With 2 Cm. Cove	 Ogee With Ogee Radius
		 Offset Flat Polish		 Ogee Flat Polish With 2 Cm. Cove	 Dupont With Ogee Radius

Customer Signature _____

Date _____